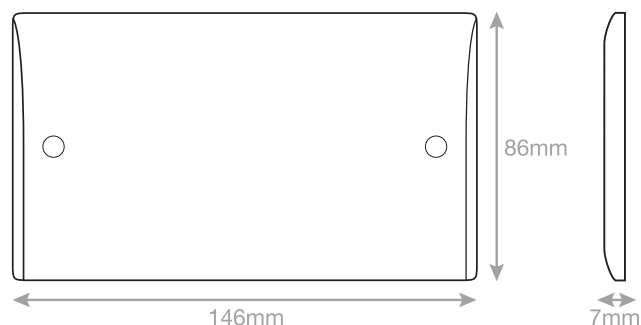
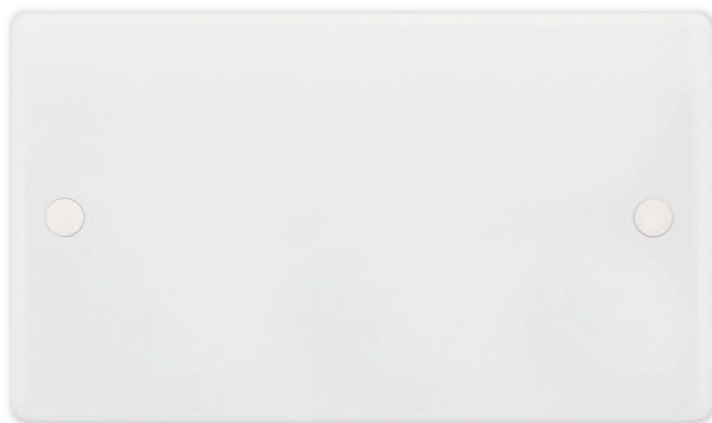


# Data Sheet : SSL545



<b>Code</b>	SSL545
<b>Description</b>	2 Gang Blanking Plate
<b>Size</b>	146mm x 86mm x 7mm depth
<b>Range</b>	Selectric Smooth
<b>Colour</b>	White
<b>Material</b>	Bakelite
<b>Included</b>	M3.5 fixing screws & white blanking caps
<b>Weight</b>	0.09kg
<b>Inner Carton Quantity</b>	10
<b>Inner Carton Weight</b>	0.9kg
<b>Guarantee</b>	30 years
<b>Barcode</b>	5025117986455
<b>Commodity Code</b>	85369085
<b>Standards</b>	BS 5733
<b>Notes</b>	<ul style="list-style-type: none"><li>• Provides an easy solution for electrical outlets that are no longer in use</li><li>• Modular and Euro Media products available within the range</li></ul>