

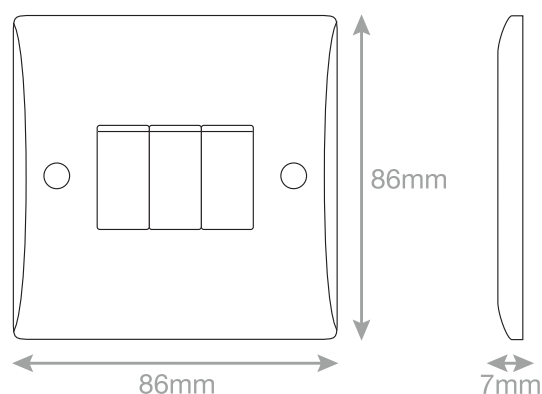
Data Sheet : SSL503



Intertek



Electrical & Lighting Products



Code	SSL503
Description	10 Amp Plate Switch - 3 Gang 2 Way - X-Rated
Size	86mm x 86mm x 7mm depth
Range	Selectric Smooth
Colour	White
Material	Bakelite
Included	M3.5 fixing screws & white blanking caps
Weight	0.1kg
Inner Carton Quantity	10
Inner Carton Weight	1kg
Guarantee	30 years
Barcode	5025117986035
Commodity Code	85369085
Standards	BS EN 60669-1
Notes	<ul style="list-style-type: none">• ASTA approved• X-rated for fluorescent or inductive loads• Modular and Euro Media products available within the range• Minimum back box size required: 16mm depth