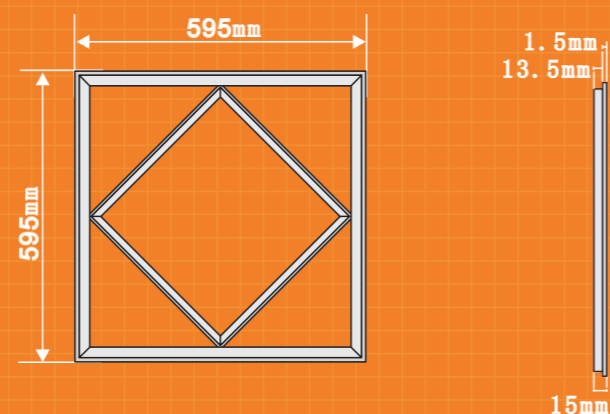


LED Diamond Linear Frame 60W

PRODUCT ADVANTAGES AND FEATURES

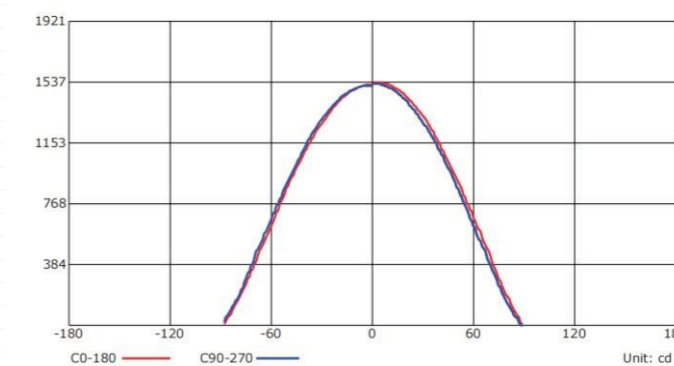
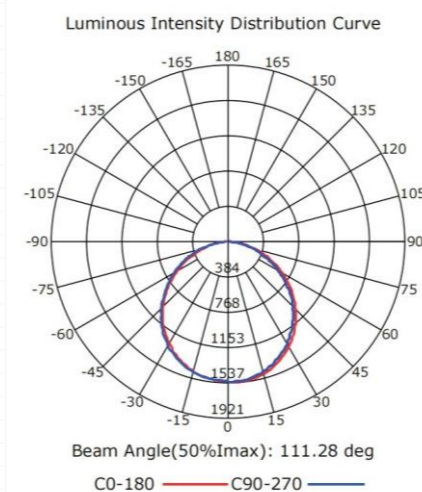
- Aluminum frame with PC cover, economic, elegant, efficient.
- Standard size design, suitable most of gypsum ceilings.
- High luminous efficiency, using premium brand LED chip, Super high lumen and long life span;
- High power factor driver, flick free eye protection.



ecolux
ENGLAND

LED Diamond Linear Frame

Installation



TECHNICAL DATA

Model	Power	Size:LxWxH(mm)	PF	SPD	Luminous	Box	Carton
LED Diamond Linear Frame	60W	595x595X15	>0.9	>2KV	100LM/W	2	10



www.ecoluxengland.com