

JC010013/BL

## Fireguard Next Generation Accessories

Fireguard Next Generation Mains Twist and Lock Bezel Only IP20 Black



### Features & Benefits

- Slim profile, die-cast aluminium bezels
- Designed specifically for use with Fireguard Next Generation Cans with LED lamps
- IP20/IP65 and IP20 tilt options

**Fireguard.**  
NEXT GENERATION

### General Information

Product Group	LED - Replacement Bezel
Product Range	Fireguard® Next Generation
Trade Name	Fireguard®
Color Finish	Black
Overall Dimensions	Ø87 x 4.5mm
Origin of manufacturer	Made In China
Warranty	2 year standard warranty (See Website for terms and conditions)
Lighting Product Type 1	Accessory

### Construction

Rim Or Attachment	Die-cast Aluminium
-------------------	--------------------

### Packaging

Quantity Per Outer Carton	200
Outer carton(L)- cm	53
Outer carton(W)- cm	31
Outer carton(H)- cm	20
Outer carton overall dimensions	53 x 31 x 20cm
Outer carton Net weight- kg	8.95

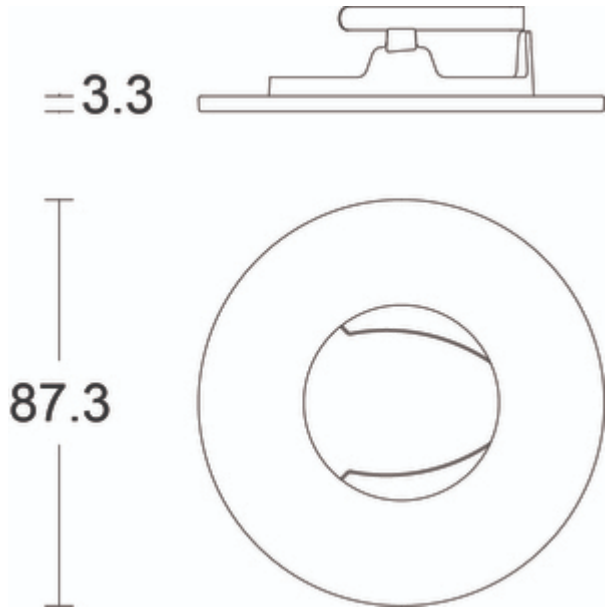
Outer carton Gross weight- kg  
Product Bar Code EAN-13 Number  
Outer carton Bar Code ITF-14 Number

**8.15**  
**5052544107221**  
**15052544107228**

## Standards & Approvals

Manufactured In Accordance To  
CE Marked  
Date code/Purchase order No.  
Certificate Of Conformity  
Accredited Members

**BS EN 60598:2015, 2-1**  
**Yes**  
**Yes**  
**Available on request**  
**LIA, ISO9001:2015, ISO14001:2015**





JC010013/BN

## Fireguard Next Generation Accessories

Fireguard Next Generation Mains Twist and Lock Bezel Only IP20 Brushed Nickel



### Features & Benefits

- Slim profile, die-cast aluminium bezels
- Designed specifically for use with Fireguard Next Generation Cans with LED lamps
- IP20/IP65 and IP20 tilt options

**Fireguard.**  
NEXT GENERATION

### General Information

Product Group	<b>LED - Replacement Bezel</b>
Product Range	<b>Fireguard® Next Generation</b>
Trade Name	<b>Fireguard®</b>
Color Finish	<b>Brushed nickel</b>
Overall Dimensions	<b>Ø87 x 4.5mm</b>
Origin of manufacturer	<b>Made In China</b>
Warranty	<b>2 year standard warranty (See Website for terms and conditions)</b>
Lighting Product Type 1	<b>Accessory</b>

### Construction

Rim Or Attachment	<b>Die-cast Aluminium</b>
-------------------	---------------------------

### Packaging

Quantity Per Outer Carton	<b>200</b>
Outer carton(L)- cm	<b>53</b>
Outer carton(W)- cm	<b>31</b>
Outer carton(H)- cm	<b>20</b>
Outer carton overall dimensions	<b>53 x 31 x 20cm</b>
Outer carton Net weight- kg	<b>8.95</b>
Outer carton Gross weight- kg	<b>8.15</b>

Product Bar Code EAN-13 Number

5052544105890

Outer carton Bar Code ITF-14 Number

15052544105897

## Standards & Approvals

Manufactured In Accordance To

**BS EN 60598:2015, 2-1**

CE Marked

**Yes**

Date code/Purchase order No.

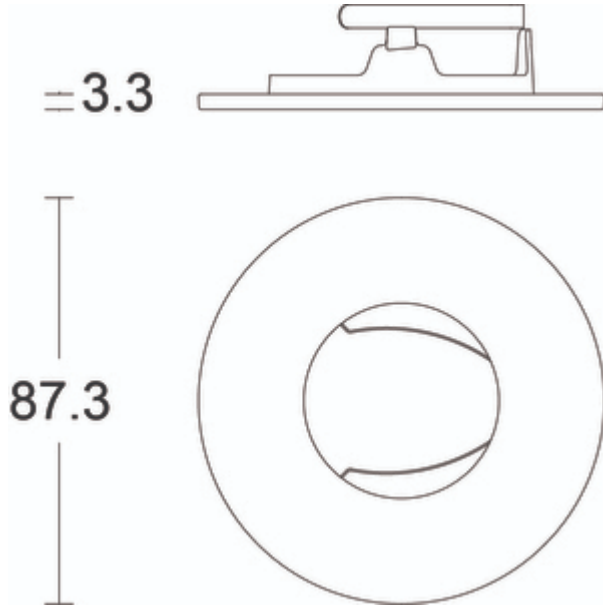
**Yes**

Certificate Of Conformity

**Available on request**

Accredited Members

**LIA, ISO9001:2015, ISO14001:2015**



---

JCC Lighting LTD Innovation Centre, Beeding Close, Southern Cross Trading Estate, Bognor Regis, West Sussex PO22 9TS

Sales: 01243 838999 (8am to 5pm Monday to Friday) Fax: 01243 838998 | [sales@jcc.co.uk](mailto:sales@jcc.co.uk) | [www.jcc.co.uk](http://www.jcc.co.uk)

Company Registration Number: 03044848 | VAT Number: 918544112

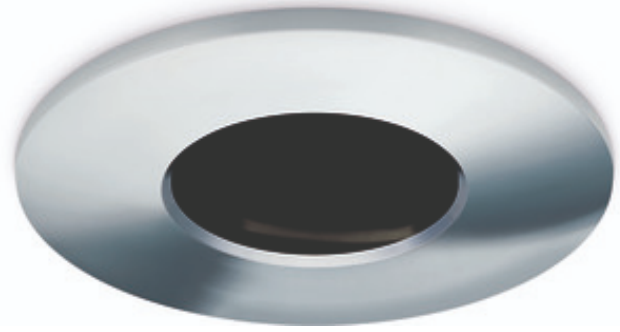
This document is uncontrolled if printed, all information is subject to change

Version 24 [21 Sep 2020]

JC010013/CH

## Fireguard Next Generation Accessories

Fireguard Next Generation Mains Twist and Lock Bezel Only IP20 Chrome



### Features & Benefits

- Slim profile, die-cast aluminium bezels
- Designed specifically for use with Fireguard Next Generation Cans with LED lamps
- IP20/IP65 and IP20 tilt options

**Fireguard.**  
NEXT GENERATION

### General Information

Product Group	<b>LED - Replacement Bezel</b>
Product Range	<b>Fireguard® Next Generation</b>
Trade Name	<b>Fireguard®</b>
Color Finish	<b>Chrome</b>
Overall Dimensions	<b>Ø87 x 4.5mm</b>
Origin of manufacturer	<b>Made In China</b>
Warranty	<b>2 year standard warranty (See Website for terms and conditions)</b>
Lighting Product Type 1	<b>Accessory</b>

### Construction

Rim Or Attachment	<b>Die-cast Aluminium</b>
-------------------	---------------------------

### Packaging

Quantity Per Outer Carton	<b>200</b>
Outer carton(L)- cm	<b>53</b>
Outer carton(W)- cm	<b>31</b>
Outer carton(H)- cm	<b>20</b>
Outer carton overall dimensions	<b>53 x 31 x 20cm</b>
Outer carton Net weight- kg	<b>8.95</b>
Outer carton Gross weight- kg	<b>8.15</b>

Product Bar Code EAN-13 Number

5052544105906

Outer carton Bar Code ITF-14 Number

15052544105903

## Standards & Approvals

Manufactured In Accordance To

**BS EN 60598:2015, 2-1**

CE Marked

**Yes**

Date code/Purchase order No.

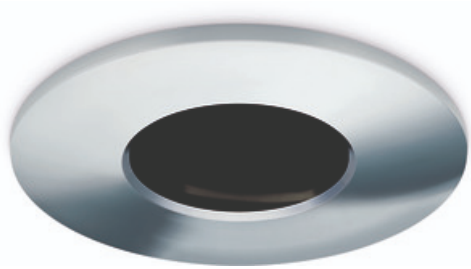
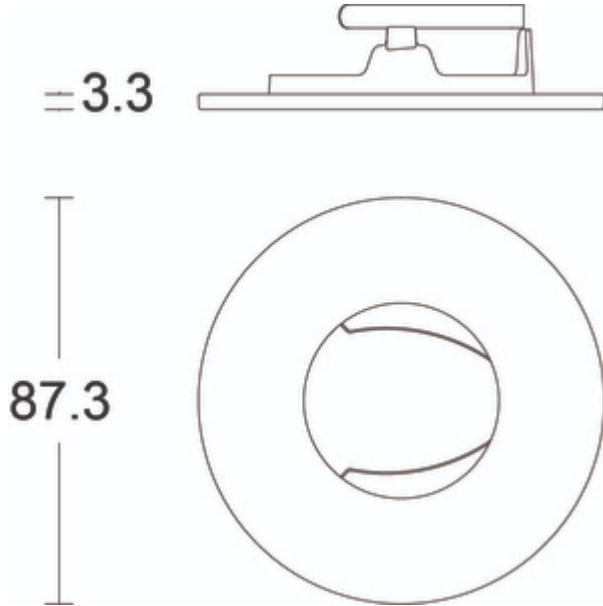
**Yes**

Certificate Of Conformity

**Available on request**

Accredited Members

**LIA, ISO9001:2015, ISO14001:2015**



---

JCC Lighting LTD Innovation Centre, Beeding Close, Southern Cross Trading Estate, Bognor Regis, West Sussex PO22 9TS

Sales: 01243 838999 (8am to 5pm Monday to Friday) Fax: 01243 838998 | [sales@jcc.co.uk](mailto:sales@jcc.co.uk) | [www.jcc.co.uk](http://www.jcc.co.uk)

Company Registration Number: 03044848 | VAT Number: 918544112

This document is uncontrolled if printed, all information is subject to change

Version 24 [21 Sep 2020]

JC010013/WH

## Fireguard Next Generation Accessories

Fireguard Next Generation Mains Twist and Lock Bezel Only IP20 White



### Features & Benefits

- Slim profile, die-cast aluminium bezels
- Designed specifically for use with Fireguard Next Generation Cans with LED lamps
- IP20/IP65 and IP20 tilt options

**Fireguard.**  
NEXT GENERATION

### General Information

Product Group	<b>LED - Replacement Bezel</b>
Product Range	<b>Fireguard® Next Generation</b>
Trade Name	<b>Fireguard®</b>
Color Finish	<b>White</b>
Overall Dimensions	<b>Ø87 x 4.5mm</b>
Origin of manufacturer	<b>Made In China</b>
Warranty	<b>2 year standard warranty (See Website for terms and conditions)</b>
Lighting Product Type 1	<b>Accessory</b>

### Construction

Rim Or Attachment	<b>Die-cast Aluminium</b>
-------------------	---------------------------

### Packaging

Quantity Per Outer Carton	<b>200</b>
Outer carton(L)- cm	<b>53</b>
Outer carton(W)- cm	<b>31</b>
Outer carton(H)- cm	<b>20</b>
Outer carton overall dimensions	<b>53 x 31 x 20cm</b>
Outer carton Net weight- kg	<b>8.95</b>
Outer carton Gross weight- kg	<b>8.15</b>



Product Bar Code EAN-13 Number

5052544105883

Outer carton Bar Code ITF-14 Number

15052544105880

## Standards & Approvals

Manufactured In Accordance To

**BS EN 60598:2015, 2-1**

CE Marked

**Yes**

Date code/Purchase order No.

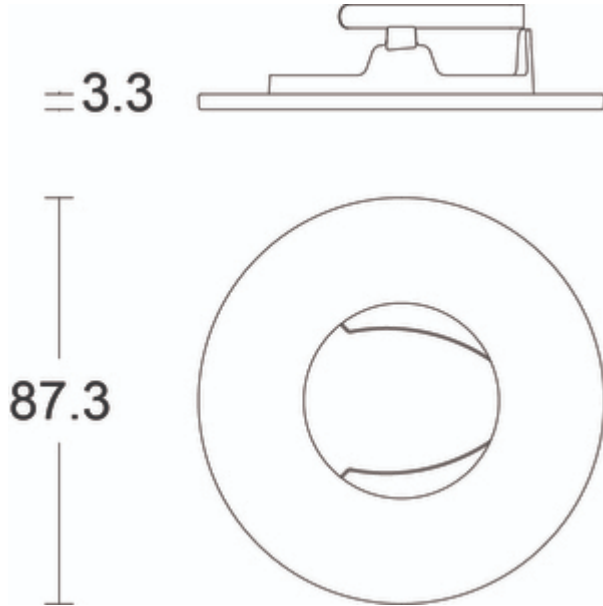
**Yes**

Certificate Of Conformity

**Available on request**

Accredited Members

**LIA, ISO9001:2015, ISO14001:2015**



---

JCC Lighting LTD Innovation Centre, Beeding Close, Southern Cross Trading Estate, Bognor Regis, West Sussex PO22 9TS

Sales: 01243 838999 (8am to 5pm Monday to Friday) Fax: 01243 838998 | [sales@jcc.co.uk](mailto:sales@jcc.co.uk) | [www.jcc.co.uk](http://www.jcc.co.uk)

Company Registration Number: 03044848 | VAT Number: 918544112

This document is uncontrolled if printed, all information is subject to change

Version 24 [21 Sep 2020]