

Data Sheet :

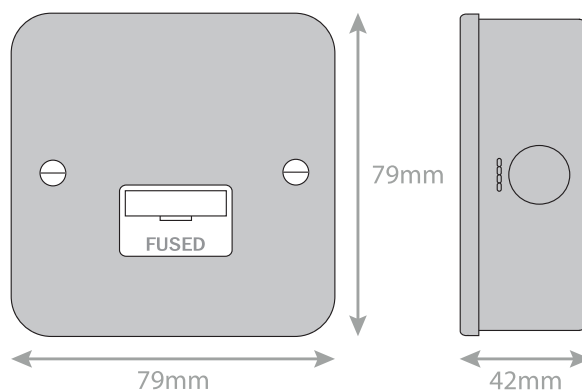
LG9228MB



Intertek



Electrical & Lighting Products



Code	LG9228MB
Description	13 Amp Fused Connection Unit - Unswitched
Size	79mm x 79mm x 42mm depth
Range	Selectric Metal Clad
Colour	Grey with white insert
Material	High grade steel with aluminium epoxy powder coating
Included	Back box & M3.5 fixing screws
Weight	0.28kg
Inner Carton Quantity	10
Inner Carton Weight	2.8kg
Guarantee	15 years
Barcode	5025117292280
Commodity Code	85369085
Standards	BS 1363-4
Notes	<ul style="list-style-type: none"> • ASTA approved • A Fused Spur or Connection Unit is commonly used for powerful electrical appliances, such as washing machines, dish washers, extractor fans, hand dryers etc, that need to be installed without a plug. They are also used for electrical items that need to be installed on a separate cable from the ring main, for safety and maintenance purposes • Modular and Euro Media products available within the range • Surface mounting box included