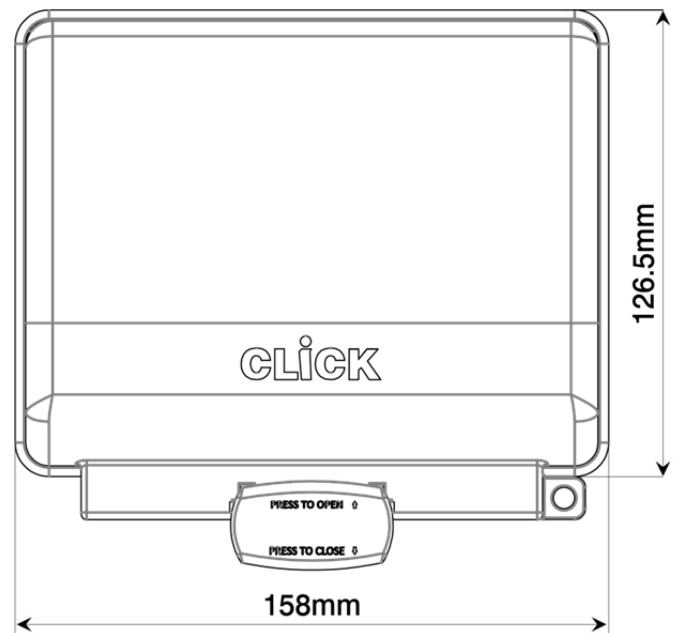


SPECIFICATION SHEET

Product Code OA036AG

Description Two Gang Weatherproof Socket Enclosure (IP66)



General Information	
Dimensions	158mm (Height) x 158mm (Width) x 80mm (Deep (With Gasket))
Material Composition	Polycarbonate. Rubber Gasket. Brass Thread.
Gang	2
Earth Terminal	No
Cable Restraint	Yes
Lockable	Yes
Ingress Protection	IP66 – Completely protected against dust. Protected against powerful jets of water from all directions.
Cable Entry	Multiple 20mm knockouts on each side for entry from all angles. (1 on Top / Bottom, 2 on either side & 1 on the rear)
Fixing Dimensions	There are fixing dimensions of the back, ensuring correct fixing measurements for ease of install.
Standard Double Back Box Size	Versatility means the unit can be interchangeable with a wide range of mounting accessories.
Warranty	5 Years Domestic

Additional Information	
	Ensure that the mains supply is isolated before commencing installation. Always refer to the circuit diagram supplied with the relevant product. Bare earth cables must always be covered with appropriate sleeving and wired to the earth terminal.

V2.0

SPECIFICATION SHEET

Product Code

CMA836AG

Description

13A 2 Gang DP Switched Socket
(Anthracite Grey)



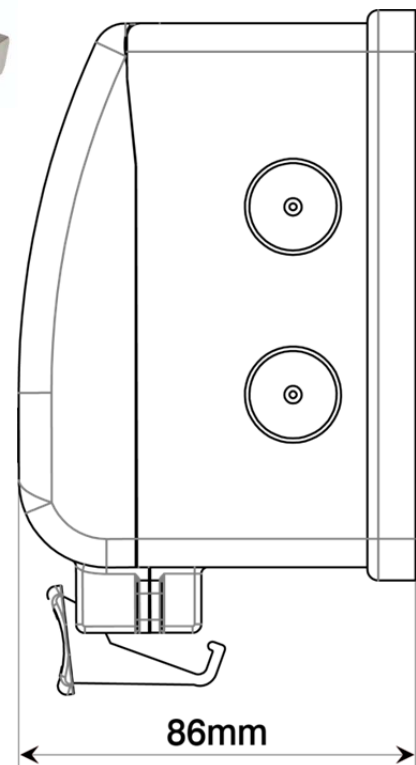
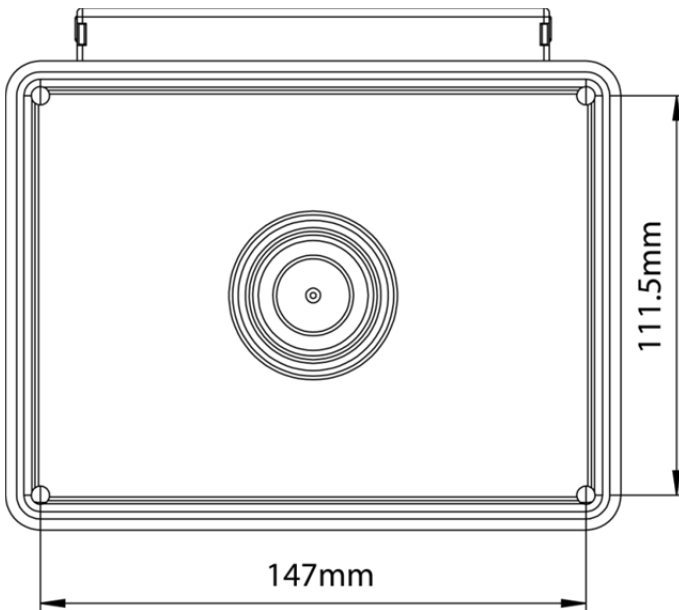
General Information	
Dimensions	146mm x 86mm x 9.5mm
Material composition	Rear Housing: Urea Front Plate: Urea Terminals: Brass Earth Strap: Mild Steel Terminal Screws: Steel and Yellow Passivated Silver "on-lay" copper/brass contacts.
Back Box Depth	25mm – 47mm
Cable Size	4 x 2.5mm ²
Terminal Size	Live: 5mm Neutral: 5mm Earth: 5mm
Switched	Yes
Double Pole	Yes
Twin Earth	Yes
Clean Earth	No
Neon	No
Shutters	Yes
Warranty	20 Years Domestic

Standards
BS 1363

Additional Information
<p>Ensure that the mains supply is isolated before commencing installation and refer to the circuit diagram supplied with the relevant product. Bare earth cables must always be covered with appropriate sleeving and wired to the earth terminal.</p> <p>All white moulded accessories are manufactured using Urea Formaldehyde, which has similar inherent properties to antimicrobial additives that inhibit the growth of infectious diseases. All products independently tested achieved a 99.9% kill rate across all four types of the strains of bacteria – MRSA, E-Coli, Salmonella, and Klebsiella Pneumoniae</p>

V2.0

SPECIFICATION SHEET



Safety Features and Standards

Standards	BS EN 60529 1992 sections 13 and 14.
Lockable	Enables the unit to be safe guarded against tampering and enables safe isolation.
Lid Locking Function	Easier for installer to fix box to wall and assemble wiring accessories into the box.
Simple Latch Mechanism	Press latch allowing for easy closing and opening. Also means the unit has a constant closing force.
Cable Exit Grip	Unique universal cable exit grip maintains IP integrity over a wide range of cable sizes.

V2.0