



Niagara Internal Photocell

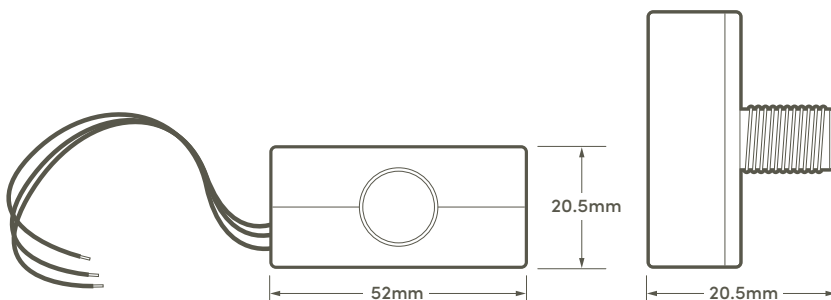


Features

- Day/night sensor
- No minimum load
- Suitable for LED
- Suitable for installation in existing fittings and an adaptable box
- Compatible with LED 500w

Technical information

Will switch:	1000w Halogen or 2 x 400hps
Ambient light:	<20 - off >80 LUX
Time delay:	10 sec - 15 sec
Max load:	2x400w Son/1000w TH
Dimensions:	52x20.5x20.5mm
IP rating:	IP65



Product code: **HSPC1**