



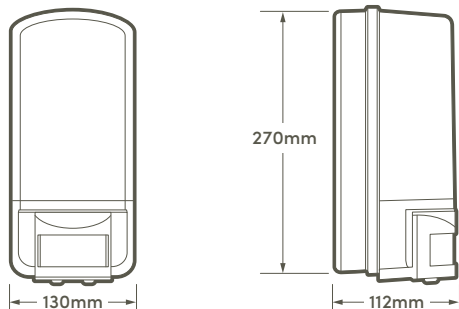
Cape 6w LED Bulkhead

COMPLETE WITH PIR SENSOR
BLACK



Features

- Polycarbonate
- Adjustable PIR sensor



Technical information

Wattage:	6w
Lumen output:	428lm
Lumens per Watt:	71.3lm
CCT:	6500k
Voltage:	110-240v
Detection distance:	12m
Detection angle:	110°

Product code: HSLEDBH/PIR