

INSTALLATION INSTRUCTIONS

PRODUCT: **HOOP PLUS DIE-CAST GU10 DOWNLIGHTS**
 PRODUCT CODES: **HP/FB, HP/FC, HP/FSC, HP/FW, HP/TB, HP/TC, HP/TSC, HP/TW, HP/65B, HP/65C, HP/65SC, HP/65W**

IMPORTANT NOTES -

- ALWAYS SWITCH OFF THE MAINS SUPPLY BEFORE SERVICING FITTING OR REPLACING LAMPS. FOLLOW INSTALLATION STEPS 5 TO 7 OR 8 TO 9 WHEN REPLACING LAMPS
- ALWAYS CHECK THE LAMP IS CORRECT FOR THE APPLICATION INCLUDING ITS VOLTAGE AND WATTAGE - 230V & MAX. 50W.
- SPECIAL ATTENTION SHOULD BE PAID TO ANY INSTALLATIONS WITH LOW CEILING VOIDS.
- NEVER EXCEED THE MAXIMUM LAMP WATTAGE - 50W.
- ENSURE THE LAMP IS CORRECTLY LOCATED IN THE LAMPHOLDER.
- WE RECOMMEND THE USE OF LED LAMPS WITH THIS LUMINAIRE. PLEASE USE RED ARROW LED GU10 RANGE FOR THE BEST RESULTS.
- DO NOT COVER THIS DOWNLIGHT WITH INSULATION MATERIAL

GUARANTEE

This product is guaranteed for a period of 1 year from the date of purchase. The guarantee is invalid in the case of improper use, tampering, removal of the Q.C. date label, installation in an improper working environment or installation not according to the current edition of the I.E.E. Wiring Regulations (BS7671).
 The guarantee is also invalidated if the luminaire has been insulation tested. Should this product fail during the guarantee period it will be replaced free of charge, subject to correct installation and return of the faulty unit. We do not accept responsibility for any installation costs associated with the replacement of this product. Your statutory rights are not affected. We reserve the right to alter specifications without prior notice.

MAINTENANCE

- This fitting will require routine cleaning if used in adverse (dust, paint, welding, oils etc) environments. Do not use solvents, aggressive detergents or abrasives.
- When this fitting comes to the end of its life or you choose to replace it, please do not dispose of it with your normal household waste. Please recycle where the facilities exist, check with your local authority or retailer for suitable options.



EN/DPH/9000/SJHT/1000/SN

INSTALLATION INSTRUCTIONS

PRODUCT: **HOOP PLUS DIE-CAST GU10 DOWNLIGHTS**
 PRODUCT CODES: **HP/FB, HP/FC, HP/FSC, HP/FW, HP/TB, HP/TC, HP/TSC, HP/TW, HP/65B, HP/65C, HP/65SC, HP/65W**

BOX CONTENTS -

1 X HOOP PLUS GU10 DOWNLIGHT



FIXED & TILT IP65 version only

Dimensions:	Fixed: L95 x Ø80mm. Cut out: Ø: 70mm Tilt: L105 x Ø95mm. Cut out: Ø: 79mm IP65: L105 x Ø85mm. Cut out: Ø: 66mm
Material:	Die-Cast Aluminium Bezel. Steel Body
Included:	Terminal Block with Heavy Duty Loop In/Loop Out Screw Terminal Connectors Steel Ceiling Fixing Springs



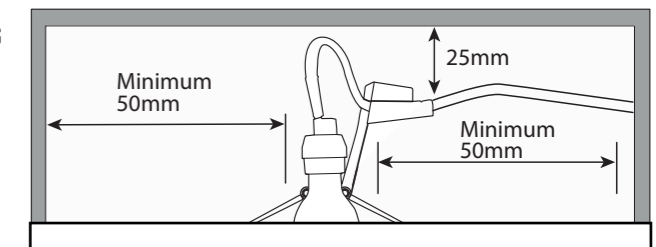
BEFORE INSTALLATION -

WE RECOMMEND THAT A SAMPLE HOLE BE CUT IN SOME SCRAP MATERIAL TO FAMILIARISE YOURSELF WITH THE INSTALLATION. ONCE YOU ARE COMPLETELY SATISFIED: LOCATE THE AREAS SUITABLE FOR INSTALLING THESE LUMINAIRES. CUT A SUITABLE HOLE IN THE CEILING AND ENSURE SUFFICIENT CEILING VOID WITHOUT INFRINGING ON JOISTS, WATER PIPES OR ELECTRICAL CABLES.

CONNECT THIS PRODUCT TO A 230V SUPPLY.

FIT THIS PRODUCT AS ILLUSTRATED IN THE STEPS ON THE FOLLOWING PAGES. THIS PRODUCT IS A CLASS 2 ELECTRICAL DEVICE.

DO NOT INSTALL THIS PRODUCT INTO NEW PLASTER OR DAMP AREAS.



SAFETY WARNING



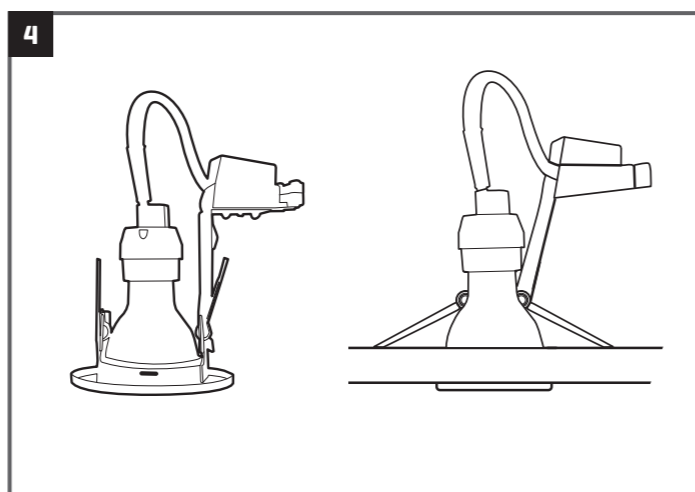
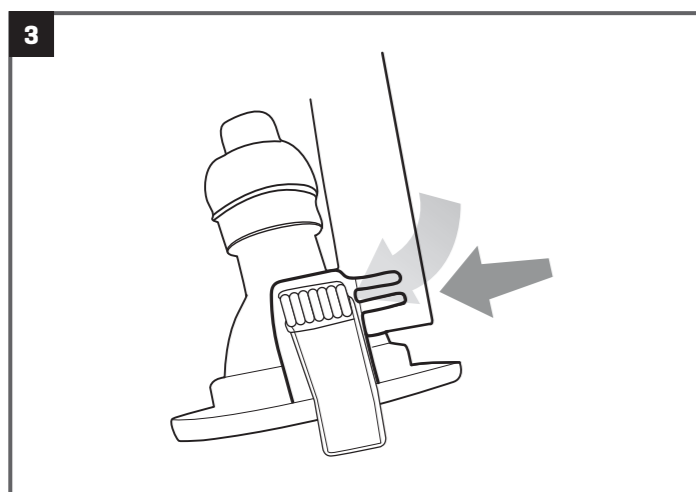
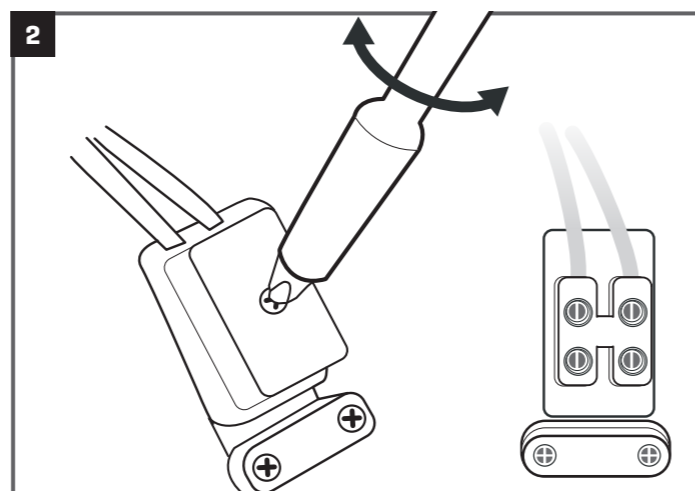
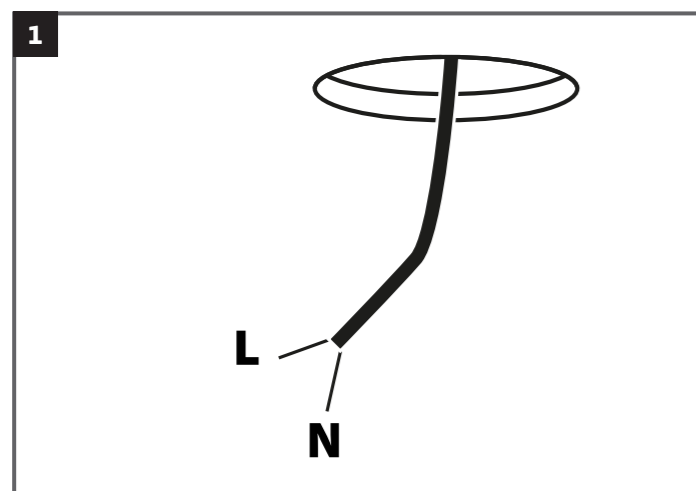
- The installation should be carried out by a qualified electrician in compliance with the current edition of the IEE Wiring Regulations.
- Prior to installation, carry out the necessary risk assessment considering the people who could be at risk, the level of risk and the precautions required to control the risk
- Ensure that the circuit supply is isolated either by the circuit supply fuse being removed or the applicable circuit breaker being turned off before installation or any maintenance.
- Check the total load on the circuit ensuring the luminaire does not exceed the rating of the circuit cable, fuse or circuit breaker.
- Long-term use and voltage fluctuations can reduce the life span of the fitting.
- If the fitting incorporates control gear, ensure careful sizing to avoid instances of nuisance tripping of the protective device used in the installation.
- Follow the provided installation instructions, using the fixings supplied or recommended.
- Keep out of reach of children.

INSTALLATION INSTRUCTIONS

PRODUCT: **HOOP PLUS DIE-CAST GU10 DOWNLIGHTS**
 PRODUCT CODES: **HP/FB, HP/FC, HP/FSC, HP/FW, HP/TB, HP/TC, HP/TSC, HP/TW, HP/65B, HP/65C, HP/65SC, HP/65W**

INSTALLATION INSTRUCTIONS -

1. CUT OUT A HOLE IN THE CEILING TO THE APPROPRIATE SIZE (SHOWN IN TABLE ON PREVIOUS PAGE). FEED THE POWER SUPPLY CABLE THROUGH THE HOLE.
2. UNSCREW COVER ON TERMINAL BLOCK AND CONNECT THE POWER SUPPLY TO THE SCREW CONNECTORS: HEAVY DUTY LOOP IN / LOOP OUT DOUBLE INSULATION LIVE & NEUTRAL PROVISION PROVIDED.
3. ATTACH THE TERMINAL BLOCK BRACKET TO THE BEZEL BY LOCATING THE FORK ON THE BRACKET THROUGH THE COIL OF ONE CEILING SPRING THAT IS PRE-ASSEMBLED TO THE BEZEL.
4. PUSH UP THE CEILING SPRINGS & OFFER THE DOWNLIGHT INTO THE CEILING CUT-OUT. RELEASE SPRINGS WHEN THE DOWNLIGHT IS LOCATED IN THE HOLE AND GENTLY PUSH THE FITTING UP FLUSH TO THE CEILING.



INSTALLATION INSTRUCTIONS

PRODUCT: **HOOP PLUS DIE-CAST GU10 DOWNLIGHTS**
 PRODUCT CODES: **HP/FB, HP/FC, HP/FSC, HP/FW, HP/TB, HP/TC, HP/TSC, HP/TW, HP/65B, HP/65C, HP/65SC, HP/65W**

INSTALLATION INSTRUCTIONS (CONT'D) -

FIXED AND TILT VERSIONS ONLY

AFTER STEP 4, PROCEED AS FOLLOWS:

5. TWIST THE INNER BEZEL ANTICLOCKWISE TO REMOVE IT FROM THE DOWNLIGHT.
6. LOCATE THE LAMP INTO THE SPRING CLIP ON THE REAR OF THE INNER BEZEL. CONNECT THE LAMP TO THE LAMPHOLDER, TWISTING CLOCKWISE UNTIL A POSITIVE LOCKING CONNECTION IS MADE.
7. PUSH THE LAMP & BEZEL INTO THE DOWNLIGHT & TWIST THE INNER BEZEL CLOCKWISE TO LOCK BACK INTO POSITION.

IP65 VERSION ONLY

AFTER STEP 4, PROCEED AS FOLLOWS:

8. TWIST THE BEZEL ANTICLOCKWISE TO REMOVE IT FROM THE DOWNLIGHT.
9. CONNECT THE LAMP TO THE LAMPHOLDER, TWISTING CLOCKWISE UNTIL A POSITIVE LOCKING CONNECTION IS MADE. PLACE FACE OF LAMP INSIDE THE BEZEL AND RE-FIT BEZEL TO THE DOWNLIGHT, TWISTING CLOCKWISE TO LOCK INTO POSITION.

