

# control, signalling and safety isolation transformers

## open type single phase (continued)

### ■ Dimensions

Fig. 1 : 40 to 400 VA

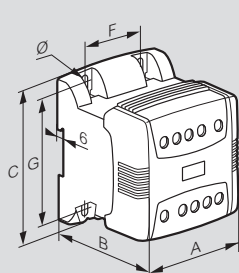


Fig. 2 : 630 to 1 000 VA

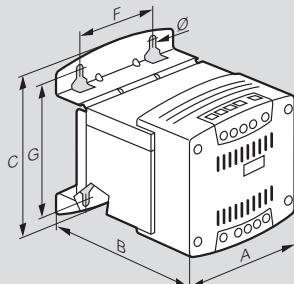


Fig. 3 : 1 600 to 2 500 VA

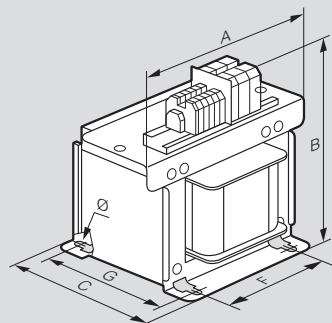
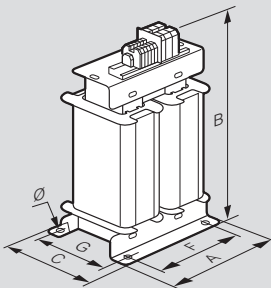


Fig. 4 : 4 000 to 8 000 VA



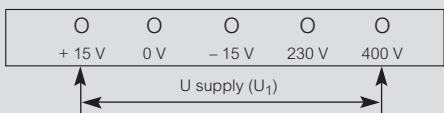
### ■ Electrical characteristics

Single phase 50-60 Hz - Class 1

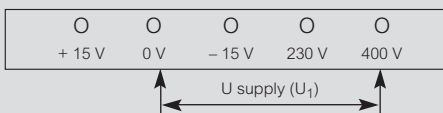
Insulation voltage between windings : 4 510 V

Maximum ambient operating temperatures : 50 °C without derating

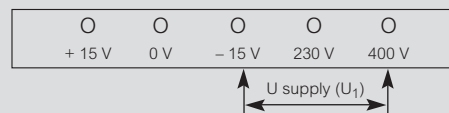
#### Voltage adjustment



- if  $U_1 > 230$  or  $400$  V
- if  $I_2 < I_{2n}$  (if the load is less than the nominal load reduce the secondary voltage)



- if  $U_1 = 230$  or  $400$  V with load  $I_2 = I_{2n}$



- if  $U_1 < 230$  or  $400$  V with load  $I_2 = I_{2n}$

Cat. Nos.	Power (VA)	Admissible instantaneous power (VA) at $\cos \varphi$ of :									No-load loss (W)	On-load loss <sup>1</sup> (W)	Voltage drop as (%) with $\cos \varphi$ :			Efficiency (%) with $\cos \varphi$ :			Ucc (%)	Connection capacity			
		0.2	0.3	0.4	0.5	0.6	0.7	0.8	0.9	1			0.3	0.6	1	0.3	0.6	1		Primary cable (mm <sup>2</sup> )		Secondary cable (mm <sup>2</sup> )	
Primary 230-400 V $\pm$ 15 V - Secondary 24-48 V																							
0442 31	40	63	58	55	52	50	48	48	49	60	3.9	7.3	8.7	10.5	8.5	62	77	84	10.0	1 to 4	1 to 4	1 to 4	1 to 4
0442 32	63	110	102	94	87	83	79	77	78	91	6.0	14.2	7.5	9.4	8.5	57	73	82	9.0	1 to 4	1 to 4	1 to 4	1 to 4
0442 33	100	200	180	160	150	140	130	130	130	150	8.2	15.1	7.3	9.3	8.9	66	80	87	8.9	1 to 4	1 to 4	1 to 4	1 to 4
0442 34	160	340	300	270	250	230	220	210	210	230	11.2	24.6	5.8	7.6	7.7	66	80	87	7.2	1 to 4	1 to 4	1 to 4	1 to 4
0442 35	250	550	490	450	420	400	380	370	370	430	14.9	31.4	5.2	6.6	6.2	70	83	89	6.1	1 to 4	1 to 4	1 to 4	1 to 4
0442 36	400	1800	1300	1100	900	800	700	600	600	500	18.3	46.3	2.1	3.7	5.6	72	84	90	4.2	1 to 4	1 to 4	1 to 4	1 to 4
0442 37	630	2700	2200	1900	1700	1500	1300	1200	1200	1200	24.1	49.4	2.0	3.0	3.9	79	88	93	3.3	1 to 16	1 to 16	1 to 16	1 to 16
0442 38	1000	3400	2800	2300	2000	1800	1600	1500	1400	1300	44.2	74.4	1.3	1.9	2.9	80	89	93	2.4	1 to 16	1 to 16	1 to 16	1 to 16
0442 39	1600	12800	10900	9500	8500	7700	7100	6700	6400	6600	65.5	94.7	1.1	1.6	1.9	84	91	94	1.7	2.5 to 10	1.5 to 16	4 to 16	1.5 to 25
0442 40	2500	4300	3900	3600	3300	3100	3000	2900	2900	3400	86.5	143.4	1.8	2.2	2.0	84	91	95	1.9	4 to 16	1.5 to 25	4 to 35	2.5 to 50
Primary 230-400 V $\pm$ 15 V - Secondary 115-230 V																							
0442 61	40	62	57	53	50	48	47	46	47	57	3.9	7.4	8.7	10.5	8.8	62	76	84	10.1	1 to 4	1 to 4	1 to 4	1 to 4
0442 62	63	110	100	93	86	82	78	76	76	90	6.0	11.8	7.6	9.6	8.9	62	76	84	9.2	1 to 4	1 to 4	1 to 4	1 to 4
0442 63	100	200	180	160	150	140	140	130	130	150	8.2	17.3	7.2	9.2	8.6	63	78	85	8.7	1 to 4	1 to 4	1 to 4	1 to 4
0442 64	160	330	300	270	250	240	230	220	220	250	11.2	23.4	5.8	7.4	7.1	67	80	87	6.9	1 to 4	1 to 4	1 to 4	1 to 4
0442 65	250	560	510	460	430	410	390	380	370	430	14.9	31.7	5.2	6.6	6.2	70	83	89	6.1	1 to 4	1 to 4	1 to 4	1 to 4
0442 66	400	2200	1700	1400	1200	1000	910	830	760	730	18.3	43.9	2.1	3.6	5.2	73	85	90	4.1	1 to 4	1 to 4	1 to 4	1 to 4
0442 67	630	2700	2200	1800	1600	1400	1200	1100	1000	1000	24.1	53.2	2.1	3.3	4.5	78	88	92	3.6	1 to 16	1 to 16	1 to 16	1 to 16
0442 68	1000	3400	2800	2300	2000	1800	1600	1500	1400	1300	44.2	73.6	1.3	2.0	2.7	80	89	93	2.2	1 to 16	1 to 16	1 to 16	1 to 16
0442 69	1600	8700	7500	6600	6100	5400	5000	4700	4500	4700	65.5	95.3	1.1	1.5	1.8	83	91	94	1.5	2.5 to 10	1.5 to 16	2.5 to 10	1.5 to 16
0442 70	2500	9200	8300	7600	7100	6700	6300	6200	6100	7100	86.5	150.1	1.8	2.3	2.2	83	91	94	2.0	4 to 16	1.5 to 25	4 to 16	1.5 to 25
0442 71	4000	16500	14300	12700	11400	10500	9800	9200	8900	9500	87.4	234.8	2.1	2.9	3.3	84	91	94	2.7	4 to 16	1.5 to 25	4 to 16	1.5 to 25

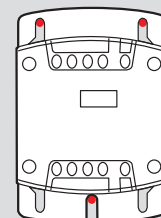
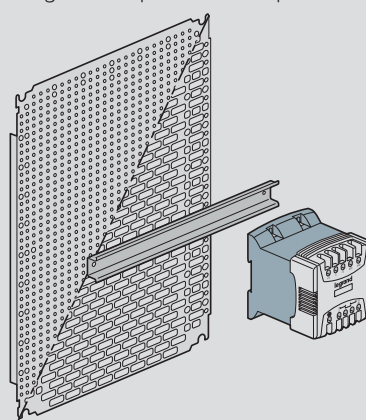
1 : Total losses at nominal load

### ■ Fixing

On perforated plates

On symmetrical rail up to 250 VA

fixing centres pitch 25 mm up to 1000 VA



Oblong fixings : Attachment at 3 points possible

Cat. Nos.	Power (VA)	Fig.	Dimensions (mm)			Fixing <sup>1</sup> (mm)			Weight (Kg)
			A	B	C	F	G	Ø	
0442 31/61	40	1	94	78	113	50	100	5.2	1.23
0442 32/62	63	1	94	85	113	50	100	5.2	1.56
0442 33/63	100	1	94	94	113	50	100	5.2	1.95
0442 34/64	160	1	94	112	113	50	100	5.2	2.6
0442 35/65	250	1	106	123	115	50	100	5.2	3.82
0442 36/66	400	1	120	140	140	62.5	125	5.2	5.62
0442 37/67	630	2	150	158	206	100	175	7	9.9
0442 38/68	1000	2	150	199	206	100	175	7	14.9
0442 39/69	1600	3	220	245	191	150	153	9	25.6
0442 40/70	2500	3	300	292	171	200	114	9	33.1
0442 71	4000	4	230	340	205	180	130	11	31

Note : 40-250 VA transformers have juxtaposed windings with an insulated barrier to provide insulation and interference filtering. Higher ratings have an electrostatic screen between windings

1 : Up to 250 VA may be fixed to symmetrical DIN rail