

# DSE201 M

## Technical features and overall dimensions

### Electrical features

Standards			IEC 61009-1 ; IEC 61009-2-2; BS EN 61009-1; AS/NZS 61009
Type (wave form of the earth leakage sensed)			AC, A
Number of poles			1P+N
Rated current $I_n$		A	$6 \leq I_n \leq 50$
Rated sensitivity $I_{\Delta n}$		mA	10-30-100-300
Rated voltage $U_e$		V	230-240
Insulation voltage $U_i$		V	500 V AC
Overtoltage category			III
Pollution degree			2
Max. operating voltage		V	264
Min. operating voltage for protection against $I_{\Delta n}$ residual sinusoidal alternating currents		V	85
Min. operating voltage of circuit test		V	195
Rated frequency		Hz	50/60
Rated breaking capacity acc. to IEC 61009	ultimate $I_{cn}$	A	10000
Rated breaking capacity acc. to IEC 60947-2	ultimate $I_{cu}$	kA	15 ( for $6A \leq I_n \leq 40A$ )
		kA	10 (for $I_n = 50A$ )
	service $I_{cs}$	kA	7.5
Rated residual breaking capacity $I_{\Delta m}$		kA	10
Rated impulse withstand voltage (1.2/50) $U_{imp}$		kV	4 kV (test voltage 6.2kV at sea level, 5kV at 2000m)
Dielectric test voltage at ind. freq. for 1 min.		kV	2.5 kV (50 / 60Hz, 1 min.)
Thermomagnetic release - characteristic	B: $3 I_n \leq I_m \leq 5 I_n$		■
	C: $5 I_n \leq I_m \leq 10 I_n$		■
Surge current resistance (wave 8/20)		A	250

### Mechanical data

Housing			insulation group II, RAL 7035
Toggle			insulation group II, black, sealable in ON-OFF positions
Earth fault indicator			blue window
Contact position indication			green/red Window
Electrical life		operations	10000
Mechanical life		operations	20000
Protection degree	in enclosure with cover		IP40
	terminals		IP20
Shock resistance acc. to IEC/EN 60068-2-27			30g - 2 shocks - 13ms
Vibration resistance acc. to IEC/EN 60068-2-6			0.35mm or 5g - 20 cycles at 5...150...5 Hz without load
Environmental conditions (damp heat) acc. to IEC/EN 60068-2-30		°C/RH	28 cycles with 55°C/90-96% and 25°C/95-100%
Reference temperature for setting of thermal element		°C	30
Ambient temperature (with daily average $\leq +35$ °C)		°C	-25...+55
Storage temperature		°C	-40...+70

## Installation

Terminal type	top (load side)		failsafe cage (shock protected)
	bottom (line side)		failsafe bi-directional cylinder-lift terminal (shock protected)
Terminal size for cables	load side	mm <sup>2</sup>	16
	line side (solid/flexible)	mm <sup>2</sup>	35/25
Terminal size for busbars	load side		only for wire connection
	line side	mm <sup>2</sup>	10 (Standard ABB busbar / distribution board system)
Tightening torque	top (load side)	Nm	1.2
	bottom (line side)	Nm	2.8
Neutral load cable	Type		low smoke halogen free
	Length	mm	750
	Section	mm <sup>2</sup>	2.5 mm <sup>2</sup> up to 20 A; 4 mm <sup>2</sup> up to 50 A
	Color		blue
Functional earth cable	Type		low smoke halogen free
	Length	mm	750
	Section	mm <sup>2</sup>	0.75
	Color		white
Mounting			on DIN rail EN 60715 (35 mm) by means of fast clip device in consumer unit Type A according to IEC 61439-1&3, BS EN 61439-1&3 in distribution board Type B according to IEC 61439-1&3, BS EN 61439-1&3
Supply from			bottom terminal

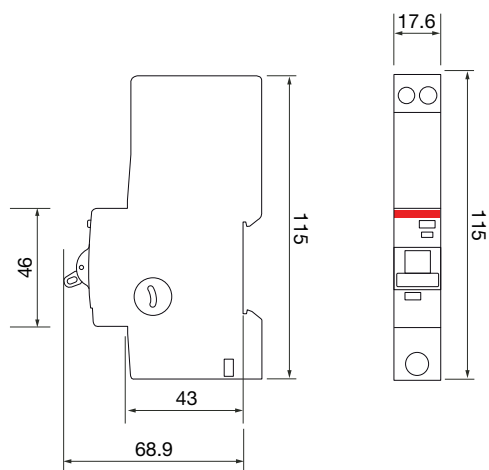
## Dimensions and weight

Dimensions (H x D x W)		mm	115 x 68.9 x 17.6
Weight		g	200

## Combination with auxiliary elements

Auxiliary contact	yes		
Signal contact / auxiliary switch	yes		
Shunt trip	yes		
Undervoltage release	yes		
Overvoltage release	yes		
Auxiliary contact for MCBs bottom fitting	yes		

## Dimensions

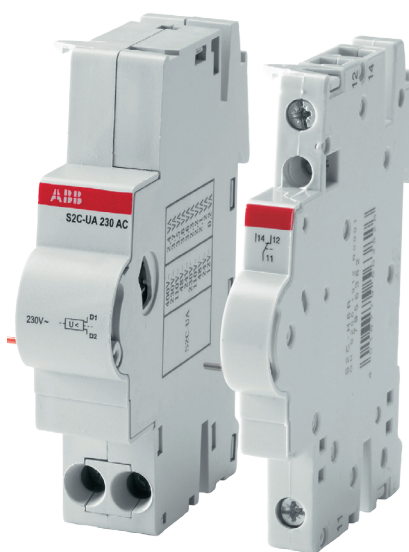
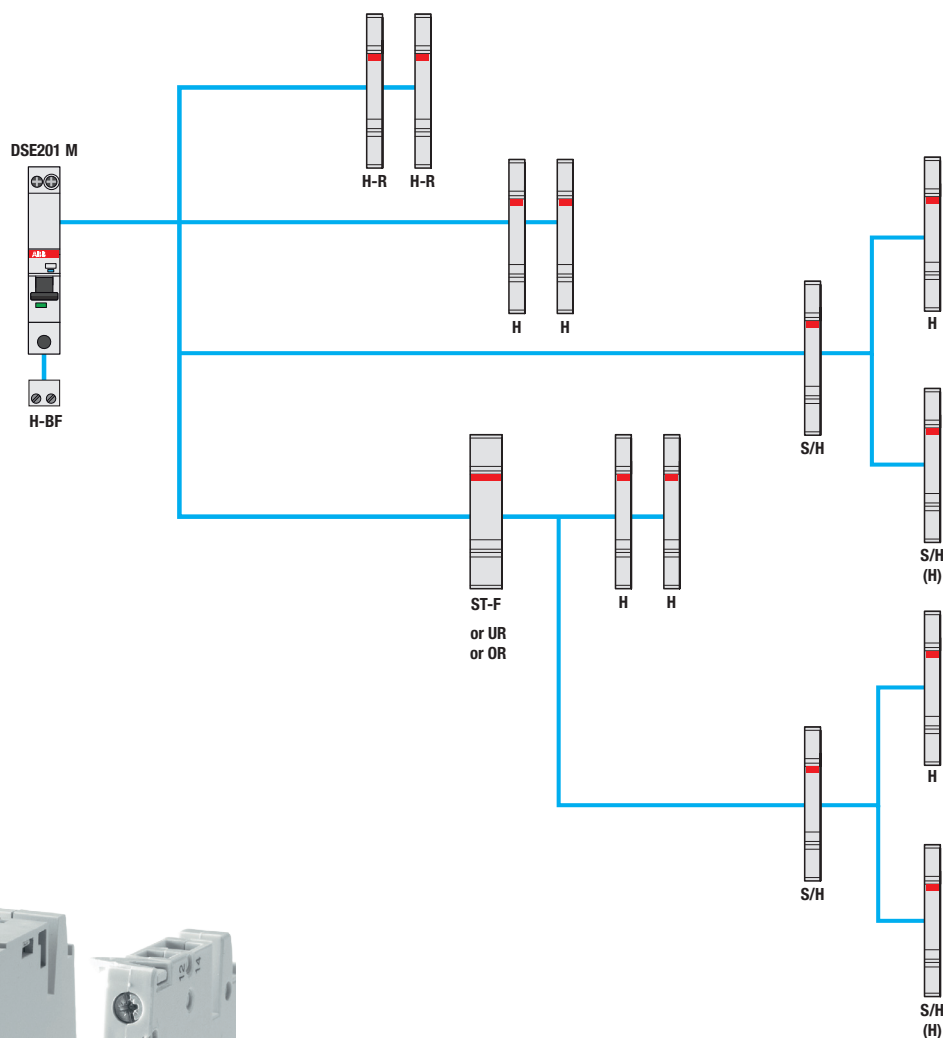


Dimensions in mm

# DSE201 M, unique solution

## Combination with auxiliary elements

The new DSE201 M series is suitable for quick installation in combination with the standard auxiliary elements that can be mounted with RCDs and MCBs: auxiliary and signal contacts, shunt trip, overvoltage release, undervoltage release. The auxiliary elements can be mounted directly within the product in few steps, following the same instructions of S200 MCBs.

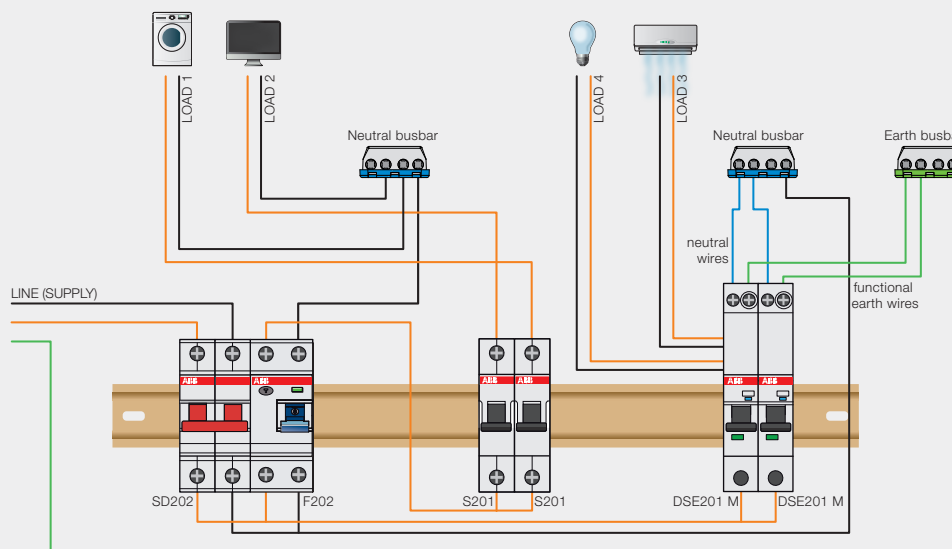


Legend	Description	Accessory name
H	Auxiliary contact	S2C-H6R
H-R	Auxiliary contact	S2C-H6R / S2C-H6-xxR
S/H	Signal/Auxiliary contact	S2C-S/H6R
S/H (H)	Signal/Auxiliary contact used as auxiliary contact	S2C-S/H6R
ST-F	Shunt trip for RCD	F2C-A
UR	Undervoltage release	S2C-UA
OR	Overvoltage release	S2C-OVP
H-BF	Auxiliary contact for bottom fitting	S2C-H01 / S2C-H10

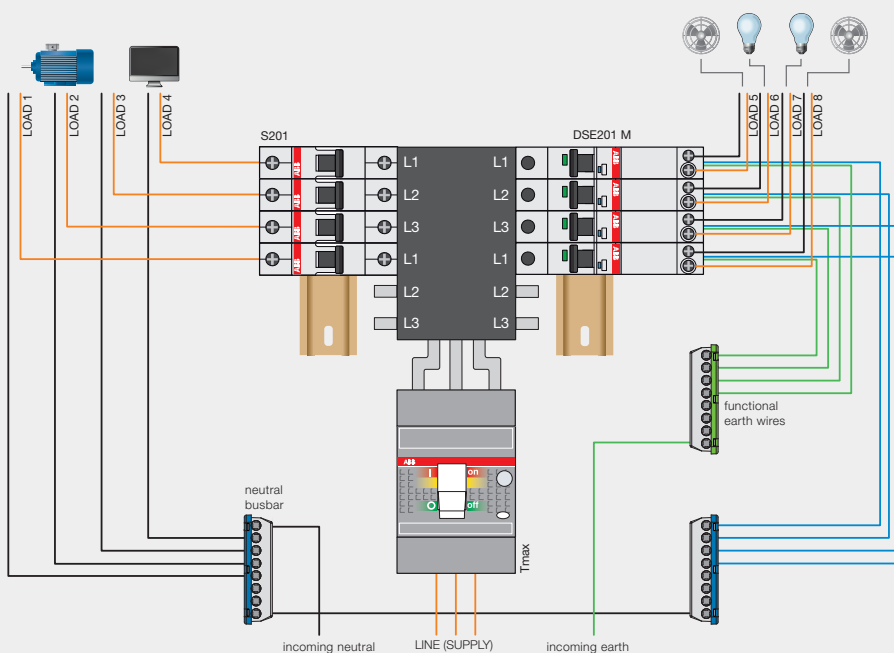
# DSE201M the importance of simplicity

## Smart solutions for easier and safer installation in commercial and industrial applications

With its compact, flexible design, DSE201 M series can be easily installed either in switchboards (mounting on DIN rail) or distribution boards (mounting on chassis). With rated current from 6 to 50A and sensitivities 10, 30, 100 and 300mA, the DSE201 M series can cover all the possible applications in commercial and industrial installations.



Example of installation of DSE201 M in a consumer unit (DIN rail) in conjunction with other ABB protection devices.



Example of installation of DSE201 M in a distribution board (chassis) in conjunction with other ABB protection devices.