

Qr GU10 Range

Fire Rated Downlights



Product Information

The FireBreak Qr range of IP20 or IP65 downlights are the perfect for downlighting any areas including bathrooms using the optional IP65 bezel. Included in the range are IP20 Tilttable versions that are ideal for wall washing or highlighting areas. All fittings will take up to 10W GU10 retro fit LED lamps.

Product Features

- 1 year warranty
- Class II
- 10W GU10 LED lamp maximum
- IP20 or IP65 downlights
- IP20 Tilttable downlights
- Fully tested for 30, 60 and 90 minute fire rated ceilings
- 6 colour bezel options
- Bezel and body purchased separately to save stock holding
- Lamp not supplied
- Ensure the LED lamp is suitable for use in enclosed cans

Product Specification

Product Code	Product Description	Wattage (W)	Lamp Cap	Energy Efficiency Class	Protection Class	Pack Qty
KSRFRD400	Fire Rated GU10 LED Downlight (Bezel not supplied)	10	GU10	varies	II	50
KSRFRD401	IP20 White Bezel for KSRFRD400 Downlight					10
KSRFRD402	IP20 Chrome Bezel for KSRFRD400 Downlight					10
KSRFRD403	IP20 Satin Chrome Bezel for KSRFRD400 Downlight					10
KSRFRD404	IP65 White Bezel for KSRFRD400 Downlight					10
KSRFRD405	IP65 Chrome Bezel for KSRFRD400 Downlight					10
KSRFRD406	IP65 Satin Chrome Bezel for KSRFRD400 Downlight					10
KSRFRD407	IP20 Black Bezel for KSRFRD400 Downlight					10
KSRFRD408	IP20 Brass Bezel for KSRFRD400 Downlight					10
KSRFRD409	IP20 Copper Bezel for KSRFRD400 Downlight					10
KSRFRD410	Fire Rated GU10 LED Downlight (Bezel not supplied)	10	GU10	varies	II	50
KSRFRD411	IP20 White Tilt Bezel for KSRFRD410 Downlight					10
KSRFRD412	IP20 Chrome Tilt Bezel for KSRFRD410 Downlight					10
KSRFRD413	IP20 Satin Chrome Tilt Bezel for KSRFRD410 Downlight					10
KSRFRD414	IP20 Black Tilt Bezel for KSRFRD410 Downlight					10
KSRFRD415	Firebreak GU10 Qr Pro / Wiz Downlight Can	10	GU10	varies	II	10
KSRFRD416	Trimless Bezel for KSRFRD400 Downlight					10
KSRFRD417	IP20 Copper Tilt Bezel for KSRFRD410 Downlight					10

Nominal voltage

220~240V

Operating frequency

50-60Hz

Standards

BSEN60598-1:2021 Luminaires – Part 1: General requirements and tests

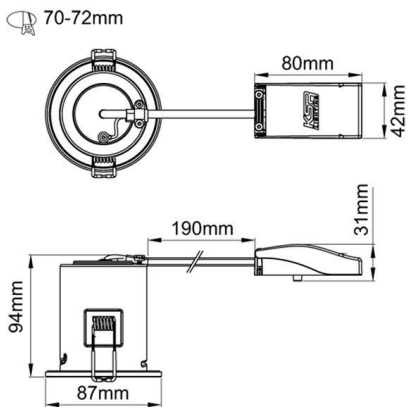
In Conformity with

LVD	Low voltage directive 2014/35/EU
ERP	Energy related products directive 2019/2020/EU
RoHS	Restriction of hazardous substances 2015/863/EU
Part E	Acoustic performance
Part B	Fire Safety
Part C	Air & moisture transfer

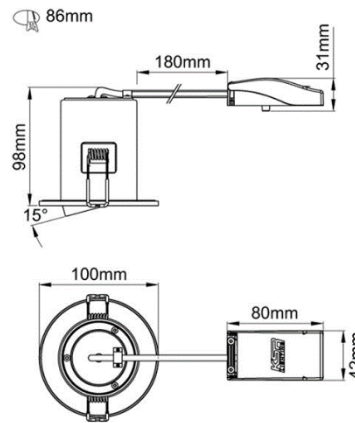
Construction

Body	Steel Body
Bezel	Aluminium

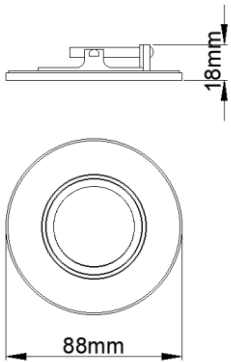
Product Dimensions



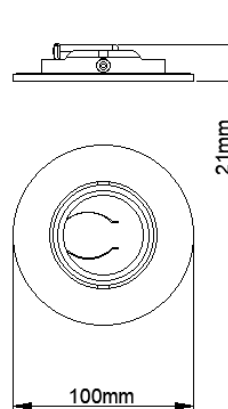
KSRFRD400



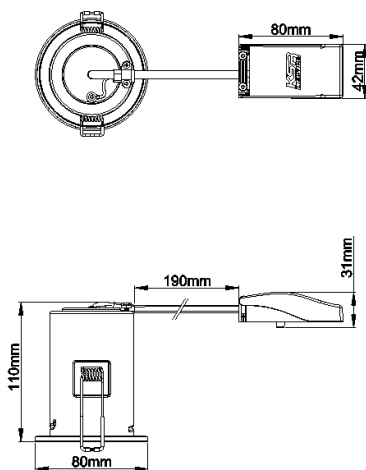
KSRFRD410



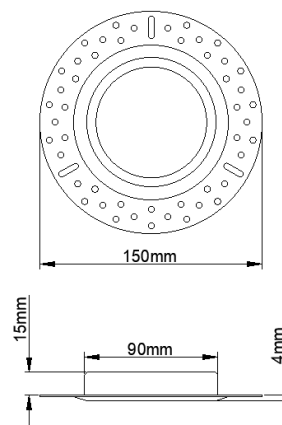
KSRFRD401-03/407-09



KSRFRD411-14/417



KSRFRD415



KSRFRD416

KSR Lighting is constantly developing and improving its products. For this reason, all product descriptions in this data sheet are intended as a general guide, and KSR may change specifications from time to time in the interest of product development, without prior notification or public announcement. All descriptions in this data sheet present only general particulars of the goods to which they refer and shall not form part of any contract. Data in this guide has been obtained in controlled experimental conditions. However, KSR Lighting cannot accept any liability arising from the reliance on such data to the extent permitted.