

Qr LED Range

Fire Rated Downlights



Product Information

The FireBreak Qr range of IP65 LED downlights are the perfect for downlighting any areas including bathrooms. Included in the range are 3000K, 4000K or triple CCT including versions that you can change the colour kelvin from either a switch on the back or the wall switch. Dimmable as standard using a range of compatible dimmers. Complete with a 3 year warranty for your peace of mind.



Product Features

- 3 year warranty
- High efficiency
- IP65
- Instant on
- Energy savings up to 90% vs 50W Halogen Lamps
- Life expectancy up to 40,000 hours
- CRI: Ra84
- Dimmable see www.ksrlighting.com for compatible dimmer lists
- Fully tested for 30, 60 and 90 minute fire rated ceilings
- Colour rim options available
- Emergency options available to order
- Tiltable versions
- Heads can be loosely covered in insulation (Driver where applicable must be kept free of insulation)
- Lighting designers can download photometric data from our website

Product Specification

Product Code	Product Description	Wattage (W)	CCT (K)	Lumens (lm)	CRI (Ra)	Energy Efficiency Class	Protection Class
KSRFRD372	Fire Rated LED Dimmable Downlight	5	3000	483	84	A++	I
KSRFRD373	Fire Rated LED Dimmable Downlight	5	4000	515	84	A++	I
KSRFRD350	Fire Rated LED Dimmable Downlight	8.8	3000	751	84	A+	II
KSRFRD350EM	Fire Rated LED Dimmable Emergency Downlight	8.8	3000	751	84	A+	II
KSRFRD351	Fire Rated LED Dimmable Downlight	8.8	4000	807	84	A+	II
KSRFRD351EM	Fire Rated LED Dimmable Emergency Downlight	8.8	4000	807	84	A+	II
KSRFRD374	Fire Rated LED Triple CCT Dimmable Downlight	7	3000	577	84	A+	I
			4000	652			
			6000	577			
KSRFRD366	Fire Rated LED Triple CCT Auto Dimmable Downlight	10	3000	655	84	A+	II
			4000	736			
			6000	648			
KSRFRD361	Fire Rated LED Dimmable 15° Tilttable Downlight	8.8	3000	705	82	A+	II
KSRFRD361EM	Fire Rated LED Dimmable Emergency 15° Tilttable Downlight	8.8	3000	705	82	A+	II
KSRFRD362	Fire Rated LED Dimmable 15° Tilttable Downlight	8.8	4000	778	81	A+	II
KSRFRD362EM	Fire Rated LED Dimmable Emergency 15° Tilttable Downlight	8.8	4000	778	81	A+	II

Product Code	Circuit Current (A)	Driver (mA)	Power Factor (PF)	In Rush Current
KSRFRD372	0.03	130	0.84	0.21
KSRFRD373	0.03	130	0.84	0.21
KSRFRD350	0.04	200	0.90	0.4
KSRFRD350EM	0.04	200	0.90	0.4
KSRFRD351	0.04	200	0.90	0.4
KSRFRD351EM	0.04	200	0.90	0.4
KSRFRD374	TBC	TBC	TBC	TBC
KSRFRD366	0.04	270	0.90	0.4
KSRFRD361	0.04	200	0.90	0.4
KSRFRD361EM	0.04	200	0.90	0.4
KSRFRD362	0.04	200	0.90	0.4
KSRFRD362EM	0.04	200	0.90	0.4

Nominal voltage	220~240V
Operating frequency	50-60Hz
Ambient temperature range	-20°C~+40°C
Start time	< 0.5 sec
Beam angle	46°
IP rating	65

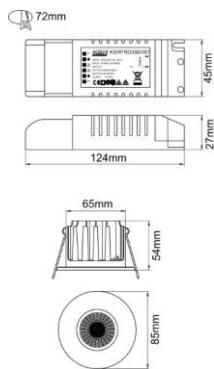
Standards

BSEN60598-1:2015 Luminaires – Part 1: General requirements and tests

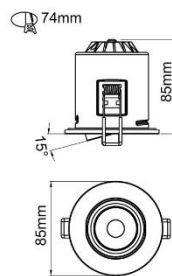
In Conformity with

LVD	Low voltage directive 2014/35/EU
EMC	Electromagnetic compatibility directive 2014/30/EU
ERP	Energy related products directive 2009/125/EC
RoHS	Restriction of hazardous substances 2011/65/EU
Part E	Acoustic performance
Part B	Fire Safety
Part C	Air & moisture transfer

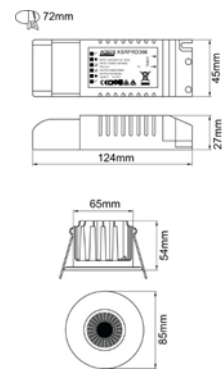
Product Dimensions



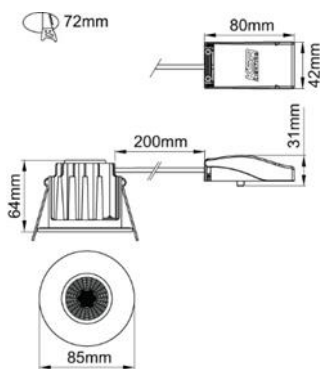
KSRFRD350-351



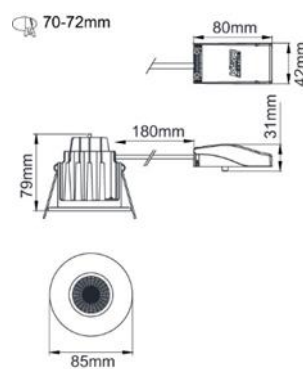
KSRFRD361-362



KSRFRD366



KSRFRD372-373



KSRFRD374

KSR Lighting is constantly developing and improving its products. For this reason, all product descriptions in this data sheet are intended as a general guide, and KSR may change specifications from time to time in the interest of product development, without prior notification or public announcement. All descriptions in this data sheet present only general particulars of the goods to which they refer and shall not form part of any contract. Data in this guide has been obtained in controlled experimental conditions. However, KSR Lighting cannot accept any liability arising from the reliance on such data to the extent permitted.



QR10 Compatible Dimmers

	Quantity	Result	Observation	Acoustics	Qty	Comments
Dimmer	Hamilton Verve HM2031	✓	100-10% Smooth Dim	Noise Free	Up to 20	Recommended
	Hamilton LED IT-B100	✓	100-10% Smooth Dim	Noise Free	Up to 10	Recommended
	Hamilton 7W1X100 LED	✓	100-10% Incremental Dim	Noise Free	Up to 10	Recommended
	Zano ZMC150	✓	100-0% Smooth Dim	Noise Free	Up to 15	Recommended
	Newlec NL8306/12	✓	100-10% Smooth Dim	Noise Free	Up to 20	Recommended
	Newlec NL8806W	✓	100-5% Smooth Dim	Noise Free	Up to 20	Recommended
	Newlec NL8806WA	✓	100-10% Smooth Dim	Noise Free	Up to 20	Recommended
	Varilight V-PRO GJP100W	✓	100-10% Smooth Dim if fittings are powered off at 25% dimmer will not power lights back on until dimming level increased	Noise Free	Up to 10	Recommended
	Varilight V-PRO JQP401	✓	100-5% Smooth Dim if fittings are powered off at 25% dimmer will not power lights back on until dimming level increased	Noise Free	Up to 20	Recommended
	Schneider Lisse GGBL6012	✓	100-10% Smooth Dim	Noise Free	Up to 20	Recommended

Please Note: KSR test these dimmers singularly please consult the dimmer manufacturer for recommendations on other scenarios. All recommendations are correct as per the date tested below. KSR cannot be held responsible for any changes in the dimmer specification.



Read these instructions before commencing installation. Please give these instructions to the owner/occupier after installation to retain for future reference/maintenance.

IP65 240V~50Hz 8.8W

These fittings are Class II and are not required to be Earthed

Important Information

It is recommended that these luminaires are installed and fitted by a qualified electrician ensuring the installation complies with current IEE wiring regulations & local building control. These products are designed for connection to a 240V~50Hz supply.

Any faulty, broken or damaged luminaires should be replaced immediately.

KSR will not accept responsibility for any claims arising from a poor installation.

Please Note: The limited warranty shall be deemed null and void in the following circumstances: Failure by the installer, end user or any third party to exercise caution to protect any covered product or part from outside damage, adverse temperature (normal operating ambient temperature -20 ~ +40°C), humidity conditions, fluctuations in the electrical system or physical abuse as well as failure related to workmanship in the installation of the products or parts.

Important User Advice

Always switch off mains supply before servicing.

This luminaire is suitable for indoor use only and should not be fitted to damp or wet surfaces such as freshly plastered or painted ceilings.

Do not use Megger or similar high voltage instruments. Due to the fact this luminaire contains electronic components that maybe damaged by high test voltages, they must be disconnected from the circuit before testing.

To prevent damage to the driver, do not mix with conventional magnetic ballasts on the same electrical circuit.

At the end of life the luminaire is classed as WEEE under directive 2014/30/EU and should be disposed of in accordance with local legislation

Installation Procedure

KSR recommends that a sample hole is cut in some scrap material to familiarise yourself with the installation. Once you are completely satisfied:

Safely isolate the mains supply.

Locate the area's suitable to install these luminaires.

Cut a 72mm round hole in the ceiling and ensure sufficient ceiling void without infringing on joists, water pipes or electrical cables.

Connect the mains supply to the LED Driver (Blue - Neutral, Brown - Live). Earth terminals are provided for earth continuity only.

The LED driver allows for mains loop in/loop out connections, if not looping through either of the L,E & N inputs can be used.

Press springs back and push luminaire body into aperture.

This luminaire is suitable for installations where vapor permeable membranes are installed.

Fit this product as per illustration shown in Fig.1

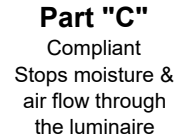
If you are installing one of the KSR detachable rims remove the standard white rim by pulling the trim off of the main fitting, do not twist the trim and attach new trim by pushing and snapping it into place. Ensure there is adequate free air ventilation around the driver. The head unit can be loosely covered in mineral wool insulation.

Turn on the mains supply to test the luminaire.

*Please note: Depending on the amount of Qr10 fittings on a circuit you may have to upgrade the breaker to a 'C' or 'D' type due to the way electronic LED drivers start up with higher inrush currents compared to halogen lighting. If dimming see the recommended dimmer list at www.ksrlighting.com providing information on the latest compatible dimmers, any other questions please call our sales office on 023 92 674343.

	ØRim Size	ØCut out	Void Depth Req'd	LED Wattage/ Colour/Lumens
KSRFRD350	85mm	72mm	80mm	8.8W - 3000K (751 lumens)
KSRFRD351	85mm	72mm	80mm	8.8W - 4000K (807 lumens)

The light source of this luminaire is not replaceable; when the light source reaches its end of life the whole luminaire shall be replaced

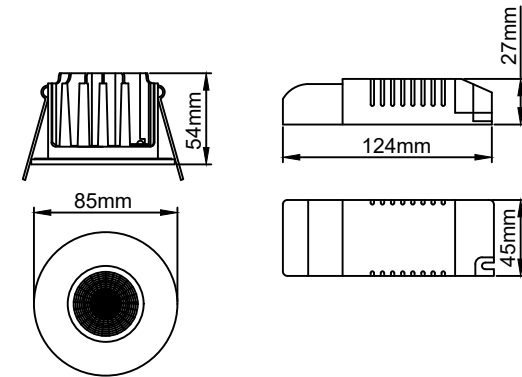


Luminaire suitable for all timber joist ceiling variants up to 90 minutes.

90 Minute fire rating

Approved to:- **BS476 Part 21**

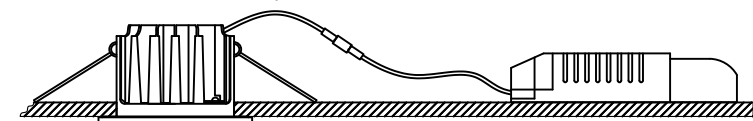
Building Regulations Document B2 determines the ceiling type that is required depending on the type of building under construction. The ceiling types are designed to provide protection to the floor above in the case of fire for a duration as specified by the document. Using KSR's Fire-Rated downlights ensures that this specification is maintained even when downlights are installed in the ceiling.



KSRFRD350 & KSRFRD351

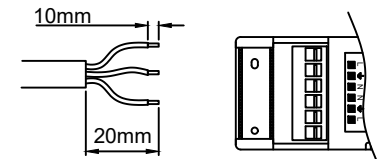
Fig. 1

80mm minimum void depth



Installer Note:

To ensure a good connection strip back 10mm of insulation and push the cable firmly into the terminal block.



KSR Lighting Aftersales: 023 92 674343
E-mail: aftersales@ksrlighting.com