



Available finish:- Grey

Read these instructions before commencing installation. Please give these instructions to the owner/occupier after installation to retain for future reference/maintenance.

IP65 240V~50Hz 60W IK10

These fittings are Class I and must be Earthed

Important Information

It is recommended that these luminaires are installed and fitted by a qualified electrician ensuring the installation complies with current IEE wiring regulations & local building control. These products are designed for connection to a 240V~50Hz supply.

Any faulty, broken or damaged luminaires should be replaced immediately.

KSR will not accept responsibility for any claims arising from a poor installation.

Please Note: The limited warranty shall be deemed null and void in the following circumstances: Failure by the installer, end user or any third party to exercise caution to protect any covered product or part from outside damage, adverse temperature (normal operating ambient temperature 0 - 25°C), humidity conditions, fluctuations in the electrical system or physical abuse as well as failure related to workmanship in the installation of the products or parts.

Important User Advice

Always switch off mains supply before servicing.

General maintenance and cleaning should be performed at least quarterly. Clean product outer using a damp cloth. A non abrasive cleaner can be used for heavy deposits. After any maintenance, remember to check all seals are intact.

Do not use Megger or similar high voltage instruments. Due to the fact this luminaire contains electronic components that maybe damaged by high test voltages, they must be disconnected from the circuit before testing.

To prevent damage to the driver, do not mix with conventional magnetic ballasts on the same electrical circuit.

At the end of life the luminaire is classed as WEEE under directive 2014/30/EU and should be disposed of in accordance with local legislation

Installation Procedure

Familiarize yourself with the luminaire/installation procedure and ensure the power is safely isolated before installing the luminaire.

Fix the retaining clips to the ceiling*.

Install the body on to the retaining clips*.

Unclip the diffuser to expose the LED tray.

Pinch the 2 grey tabs to release the LED tray from the body.

Retaining straps are installed to prevent the LED tray from falling during install.

Install supplied cable gland and dress cables through.

Connect the mains wiring as per the guide Fig. 2, Brown (L SW) Switch Live, Black (L PERM) Permanent Live, Blue (N) Neutral and Green/Yellow (G/Y) Earth.

Please note: For testing purposes a provision should be made in the circuit for disconnection of the unswitched live (i.e. key switch).

Connect the Emergency battery.

Re-install the LED tray by pushing onto the grey tabs making sure it locks back into place.

Tighten the cable gland. Re-fit the diffuser ensuring the seal is in place and undamaged.

Turn on the power and test the luminaire.

*This product is suitable for suspending using the supplied metal suspension kit that hooks either side of the fixing bracket as per Fig.1

This fitting requires a 24 Hour initial charge period prior to any emergency testing, please see overleaf for testing routine, write on the battery label in permanent ink the date of commissioning. All results must be recorded and left with the end user.

The battery has a rated duration of at least 4 years but should be replaced if the duration of operation is less than 3 hours after a 24hr charge time with no interrupted supply.

LEDs are an inductive load so to avoid unwanted MCB tripping it may be necessary to uprate your breakers.

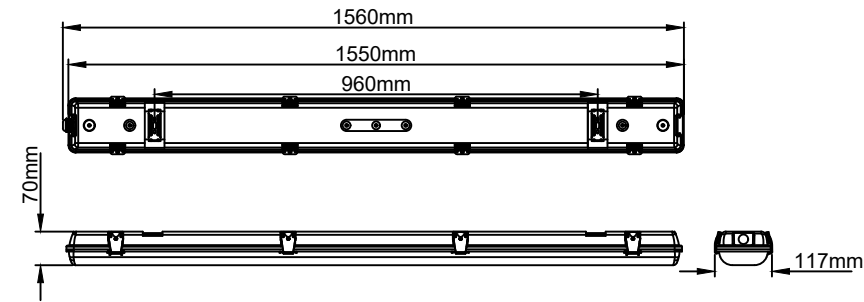


Fig. 1

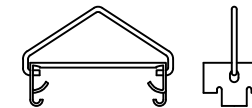
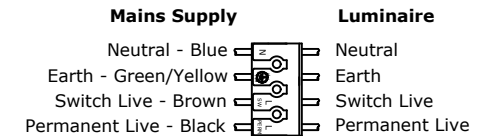


Fig. 2



Lamp Details

Wattage: 60W LED Module

Colour: 4000K

Lumens: 6786

CRI: Ra>80

Dimmable: No

The light source of this luminaire is not replaceable; when the light source reaches its end of life the whole luminaire shall be replaced

KSR Lighting Aftersales: 023 92 674343

E-mail: aftersales@ksrlighting.com





All tests must be undertaken at times of least risk and in accordance with EN 50172:2004 as indicated below:

Daily:

LED charge indicators shall be visually inspected for correct operation.

Monthly:

(in addition to the daily check) If automatic testing devices are used, the results of the short duration tests shall be recorded.

Test shall be carried out as follows:

1. Switch the luminaire over to emergency mode to operate from the batteries by simulating a failure of supply to the emergency circuit for a period sufficient to ensure correct luminaire operation.

Note: The period of simulation failure should be sufficient for the purpose of this clause whilst minimising damage to the system components e.g lamps. During this period, all luminaires shall be checked to ensure that they are present, clean and functioning correctly. At the end of this test period, the unswitched supply should be restored and any indicator lamp or device should be checked to ensure that is showing that the supply has been restored.

Annually:

If automatic testing devices are used, the results of the short duration tests shall be recorded. For all other systems the monthly inspection shall be carried out and the following additional tests made:

1. Each luminaire shall be tested monthly as above but for its full duration in accordance with the manufacturer's information.
2. The unswitched supply for the luminaire should be restored and any charge indicator lamp or device should be checked to ensure that it shows the unswitched supply has been restored. The charging arrangements should be checked for proper functioning.
3. The date of the test and its results shall be recorded in the system logbook.

A copy of this report must accompany any emergency luminaire returned to KSR Lighting for any reason.



Emergency Lighting Periodic Test Schedule

All emergency lighting should be installed and tested in accordance to EN5266-1:2011. This test schedule should remain onsite and be accessible to the relevant authorities on request.



Em No.	Luminaire Location	Luminaire Type	Start Time	Duration (Minuets)	Pass/Fail*	Comments/Actions

Site Address: _____

Test Conducted By: _____

Date of Test Completion: _____

Comments/Actions _____

* √=Pass, X=Fail, N/T=Not Tested, N/A=No Access, U/T=Uncomplete Test