



Available finish:- Grey

Read these instructions before commencing installation. Please give these instructions to the owner/occupier after installation to retain for future reference/maintenance.

IP65 240V~50Hz 60W IK10

These fittings are Class I and must be Earthed

Important Information

It is recommended that these luminaires are installed and fitted by a qualified electrician ensuring the installation complies with current IEE wiring regulations & local building control. These products are designed for connection to a 240V~50Hz supply.

Any faulty, broken or damaged luminaires should be replaced immediately.

KSR will not accept responsibility for any claims arising from a poor installation.

Please Note: The limited warranty shall be deemed null and void in the following circumstances: Failure by the installer, end user or any third party to exercise caution to protect any covered product or part from outside damage, adverse temperature (normal operating ambient temperature -20 - +40°C), humidity conditions, fluctuations in the electrical system or physical abuse as well as failure related to workmanship in the installation of the products or parts.

Important User Advice

Always switch off mains supply before servicing.

General maintenance and cleaning should be performed at least quarterly. Clean product outer using a damp cloth. A non abrasive cleaner can be used for heavy deposits. After any maintenance, remember to check all seals are intact.

Do not use Megger or similar high voltage instruments. Due to the fact this luminaire contains electronic components that maybe damaged by high test voltages, they must be disconnected from the circuit before testing.

To prevent damage to the driver, do not mix with conventional magnetic ballasts on the same electrical circuit.

At the end of life the luminaire is classed as WEEE under directive 2014/30/EU and should be disposed of in accordance with local legislation

Installation Procedure

Familiarize yourself with the luminaire/installation procedure and ensure the power is safely isolated before installing the luminaire.

Fix the retaining clips to the ceiling*.

Install the body on to the retaining clips*.

Unclip the diffuser to expose the LED tray.

Pinch the 2 grey tabs to release the LED tray from the body.

Retaining straps are installed to prevent the LED tray from falling during install.

Install supplied cable gland and dress cables through.

Connect the mains wiring as per the guide Fig. 2, Brown (L) Live, Blue (N) Neutral and Green/Yellow (G/Y) Earth.

Re-install the LED tray by pushing onto the grey tabs making sure it locks back into place.

Tighten the cable gland. Re-fit the diffuser ensuring the seal is in place and undamaged.

Turn on the power and test the luminaire.

*This product is suitable for suspending using the supplied metal suspension kit that hooks either side of the fixing bracket as per Fig.1

LEDs are an inductive load so to avoid unwanted MCB tripping it may be necessary to uprate your breakers.

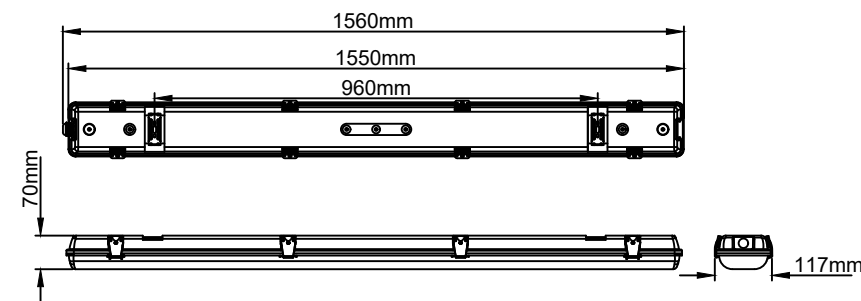


Fig. 1

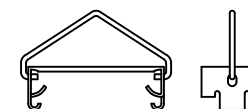
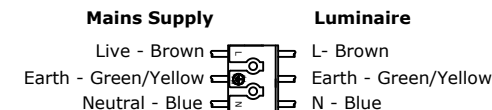


Fig. 2



Lamp Details

Wattage: 60W LED Module

Colour: 4000K

Lumens: 6786

CRI: Ra>80

Dimmable: No

The light source of this luminaire is not replaceable; when the light source reaches its end of life the whole luminaire shall be replaced



KSR Lighting Aftersales: 023 92 674343

E-mail: aftersales@ksrlighting.com